



PD5122 High Output, Dual 12" Slot-Loaded Low Frequency Loudspeaker

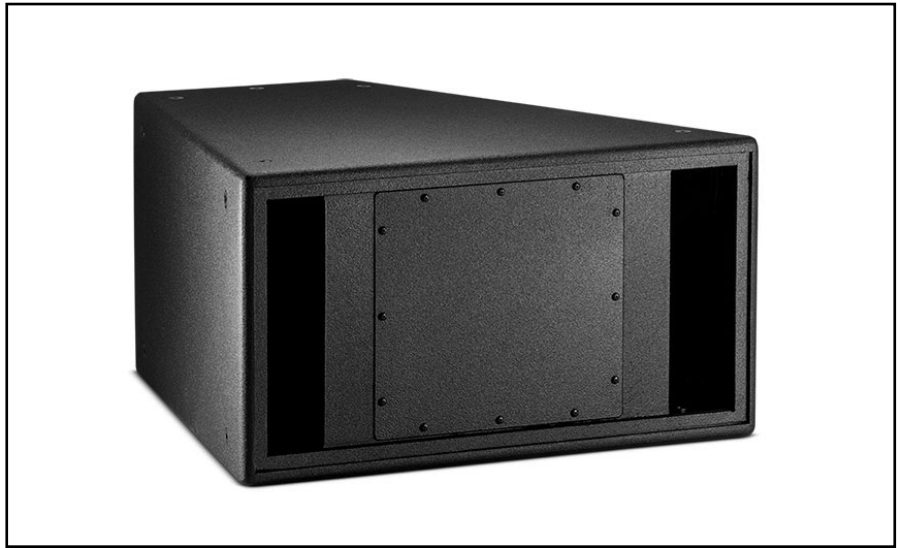
PD SERIES precision directivity

Key Features:

- ▶ Dual high power 300 mm (12 in) low frequency drivers
- ▶ Designed to extend LF pattern control of PD5322 systems
- ▶ Slot-loaded configuration duplicates LF performance of PD5322

Applications:

- ▶ Performing Arts Facilities
- ▶ Live Theaters
- ▶ Auditoriums
- ▶ Houses of Worship
- ▶ Dance Clubs
- ▶ Sports Facilities



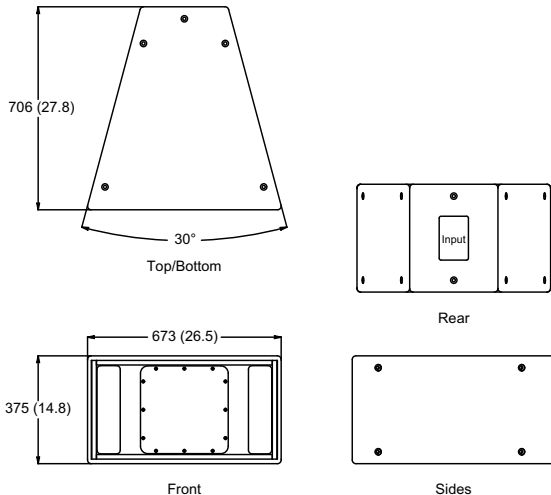
The PD5122 is intended for use as a flown or ground supported, high power low frequency module used in conjunction with mid/high-only or fullrange systems of the PD5000 and PD700 series.

The PD5122 is principally intended to be used in conjunction with PD5322 full range systems to construct arrays with extended low frequency pattern control.

Low frequency transducers are the 2206H 300 mm (12 in) VGC™ Vented Gap Cooled drivers. They deliver excellent low frequency extension with minimal power compression and low distortion plus high sensitivity and power handling.

Standard finish is black DuraFlex™, with white available as a no-cost option. Weather resistant and unpainted versions are also available. Contact your JBL Professional sales representative for information on other available options.

Dimensions:



Specifications:

Frequency Range (-10 dB):	41 Hz to 1 kHz
Frequency Response (±3 dB):	49 Hz to 300 Hz
Transducer Power Ratings (AES):	1600 W (6400 W peak) 2 hrs
Long-Term System Power Rating:	1200 W (4800 W peak), 100 hrs.
System Sensitivity (dB-SPL, 1W @ 1m):	60 Hz - 250 Hz: 96 dB
Maximum SPL:	128 dB-SPL cont avg (134 peak)
Input Modes:	Drivers Parallel/Drivers Discrete
Nominal Impedance:	4 ohms in parallel-drive mode 2 x 8 ohms in discrete drive mode
Transducers:	
Low Frequency Driver:	2 x JBL 2206H 300 mm (12 in) VGC drivers with 100 mm (4 in) voice coil
Physical:	
Enclosure:	Trapezoidal with 15 degree side angles, 16 mm (5/8 in) exterior grade 11-ply Finnish birch plywood
Suspension Attachment:	20 points (5 top, 5 bottom, 4 each side, 2 rear), M10 threaded hardware (eyebolts NOT included, see optional accessories)
Finish:	Black DuraFlex finish. White (-WH) available upon request.
Optional Weather Resistant Versions:	WRC for outdoor placement where the loudspeaker will be sheltered from direct exposure to the elements. WRX for direct exposure or extreme environments, such as tropical or beach, or in areas with salt air, extreme high humidity or rapid changes in temperature. See WRC/WRX configuration sheet for details.
Grille:	Powder coated 14 gauge perforated steel, acoustically transparent foam backing (grille cloth backing on white units)
Input Connectors:	Neutrik Speakon® NL4, plus CE-compliant covered barrier strip terminals. Barrier terminals accept up to 5.2 sq mm (10 AWG) wire or max width 9 mm (.375 in) spade lugs. Speakon in parallel with barrier strip for loop-through.
Environmental Specifications:	Mil-Std 810; IP-x3 per IEC529. For higher environmental ratings, use WRC or WRX.
Dimensions (H x W x D in vertical orientation):	375 x 673 x 706 mm (14.8 x 26.5 x 27.8 in)
Net Weight:	36.4 kg (80 lb)
Optional Accessories:	229-00009-01 kit of three M10 x 35 mm forged shoulder steel eyebolts

¹ AES standard, one decade pink noise with 6 dB crest factor within device's operational band, free air. Standard AES 2 hr rating plus long-term 100 hr rating are specified for low-frequency transducers.

² AES standard, one decade pink noise with 6 dB crest factor, in cabinet, long-term 100 hr rating.

³ Anechoic sensitivity in free field, no additional sensitivity gains from boundary loading.

⁴ Calculated based on power rating and sensitivity, exclusive of power compression.

JBL continually engages in research related to product improvement. Some materials, production methods and design refinements are introduced into existing products without notice as a routine expression of that philosophy. For this reason, any current JBL product may differ in some respect from its published description, but will always equal or exceed the original design specifications unless otherwise stated.



JBL Professional
8500 Balboa Boulevard, P.O. Box 2200
Northridge, California 91329 U.S.A.

© Copyright 2014 JBL Professional
www.jblpro.com

SS PD5122
CRP
01/14